

The information contained herein is accurate and reliable to the best of our knowledge. But, because Pittsburgh Corning Corporation has no control over installation workmanship, accessory materials or conditions of application, NO EXPRESS OR IMPLIED WARRANTY OF ANY KIND, INCLUDING THOSE OF MERCHANTABILITY OR FITNESS FOR A PARTICULAR PURPOSE, IS MADE as to the performance of an installation containing Pittsburgh Corning products. In no event shall Pittsburgh Corning be liable for any damages arising because of product failure, whether incidental, special, consequential or punitive, regardless of the theory of liability upon which any such damages are claimed. Pittsburgh Corning Corporation provides written warranties for many of its products, and such warranties take precedence over the statements contained herein.

PITTSBURGH CORNING

KWiK'N EZ® Rigid Track Spacer System for Premiere Series Glass Block

ASSEMBLY INSTRUCTIONS

Option 1 – Silicone Joints Finish



Option 2 – Grout Joints Finish



Pittsburgh Corning Corporation
800 Presque Isle Drive
Pittsburgh, PA 15239
1-800-624-2120
www.pittsburghcorning.com

KWiK'N EZ® Rigid Track Silicone System
U.S. Patent No. 4,986,048

All trademarks and registered trademarks in this brochure are owned and protected by Pittsburgh Corning Corporation, Pittsburgh, PA 15239

© 2006 Pittsburgh Corning Corporation
Printed in U.S.A. (Replaces: Rev.7/04) GB-289 10M Rev. 1/06



Introduction

The KWIK'N EZ® Rigid Track Spacer System is the easiest way to install Pittsburgh Corning **Premiere Series Glass Block**. No special skills or tools are required to create the project of your dreams. Now you have two options:

Option 1 – Silicone joints for an all-glass, crystal-like appearance or;

Option 2 – Grouted joints for a modular, mortar-like look.

Premiere Series Rigid Track Horizontal Spacers are available in 48" or 96" lengths.

Premiere Series Rigid Track Vertical Spacers are available in bags of ten (10) pieces of 7 3/4" Rigid Track. Each piece is precut to fit as a vertical spacer between 8" high Premiere Series Glass Blocks.

Premiere Series Perimeter Channels are available in 48" or 96" lengths.

1. General Information

- Designed for use with Pittsburgh Corning **Premiere Series** (4" thick) Glass Block only.
- Not for use in constructing curved glass block walls.
- Interior panels no larger than 85 sq. ft. framed on at least three sides with unfinished side no larger than 8 ft. Exterior panels must be no larger than 50 sq. ft. and framed on all four sides. For larger exterior panels, call Pittsburgh Corning Technical Support at 1-800-871-9918.
- All glass block panels are non-load bearing, so adequate provisions must be made for support of construction around the panel.

2. Tools Required

- Screwdriver, electric drill, fine tooth saw, caulking gun, utility knife, rubber mallet, tape measure, razor blade and a two foot level.
- Plus, for grouted joints only, you need a hard rubber float, trowel, soft rag and grout sponge.

3. Materials Required

Option 1 – Typical materials required for **Silicone Joints Installation include:**

- Pittsburgh Corning Premiere Series Glass Block
- KWIK'N EZ® Premiere Series Rigid Track Horizontal Spacers
- KWIK'N EZ® Premiere Series Rigid Track Vertical Spacers
- Pittsburgh Corning Premiere Series Perimeter Channels
- Pittsburgh Corning Glass Block Sealant
- #6 x 1" flat head galvanized screws (approx. 3 per lineal foot of perimeter channel)

Option 2 – Typical materials required for **Grouted Joints Installation include:**

- Pittsburgh Corning Premiere Series Glass Block
- KWIK'N EZ® Premiere Series Rigid Track Horizontal Spacers
- KWIK'N EZ® Premiere Series Rigid Track Vertical Spacers
- Pittsburgh Corning Premiere Series Perimeter Channels
- Pittsburgh Corning Glass Block Sealant
- #6 x 1" flat head galvanized screws (approx. 3 per lineal foot of perimeter channel)
- ProVantage™ Glass Block Grout
- Grout Sealer



4. Prepare the Opening

- Prepare the rough opening where the panel will be located. Make opening plumb and square to dimensions shown in Table 1.

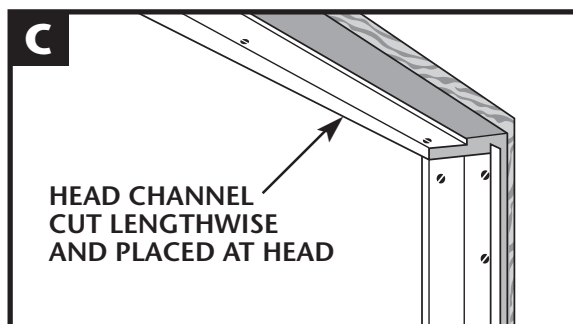
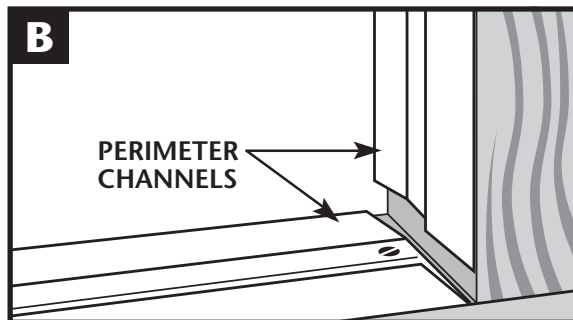
TABLE 1. Premiere Series Glass Block

	Rough Opening Size (Inches)		
	Rough Opening Width and Height		
Number of Blocks	4" Wide Block	6" Wide Block	8" Wide Block
1	4 1/8	6 1/8	8 1/8
2	8	12	16
3	11 7/8	17 7/8	23 7/8
4	15 3/4	23 3/4	31 3/4
5	19 5/8	29 5/8	39 5/8
6	23 1/2	35 1/2	47 1/2
7	27 3/8	41 3/8	55 3/8
8	31 1/4	47 1/4	63 1/4
9	35 1/8	53 1/8	71 1/8
10	39	59	79
11	42 7/8	64 7/8	86 7/8
12	46 3/4	70 3/4	94 3/4

Note: Blocks are available in 4" x 8", 6" x 6", 6" x 8", and 8" x 8" sizes

square or mitered. Apply two $\frac{1}{4}$ " beads of sealant on underside of channels horizontally $\frac{1}{2}$ " from both sides. Screw channels to the bottom and two sides of opening using the holes provided. Use two screws to fasten each end. If you cut off the predrilled holes when trimming the length, simply drill new ones at each end of the cut piece. Paint the screw heads white to reduce visibility.

- So that the last row of Pittsburgh Corning Glass Block units can be installed easily, cut the top perimeter channel in half lengthwise with a utility knife. Apply one bead of sealant. Install that half of the channel at the top of opening (Illus. C). On exterior applications, secure the exterior-side half of the channel with screws. The interior half of the channel will be siliconed in place.

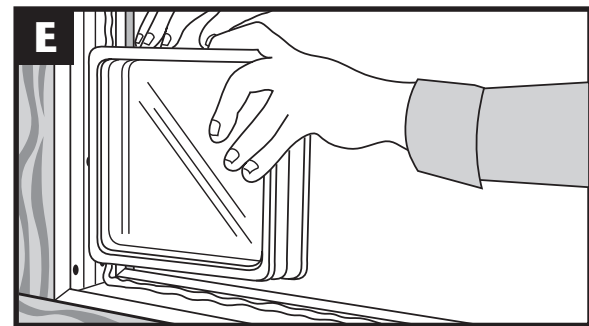
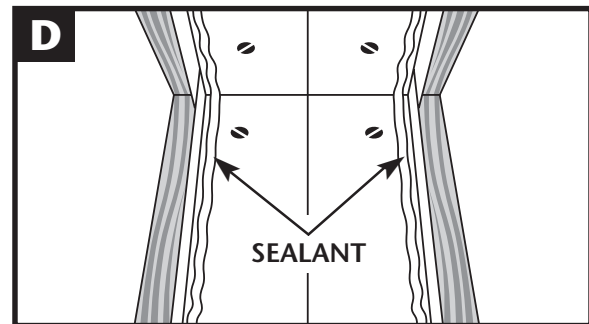


5. Cut Rigid Track Spacers to Length.

- Cut the horizontal Rigid Track Spacers for each course to fit inside the vertical perimeter channels. Save the short pieces.
- Vertical spacers are supplied precut to length for use with 8" blocks. If the blocks you are using are less than eight inches, cut spacers to size (either straight cut or cope cut as desired).

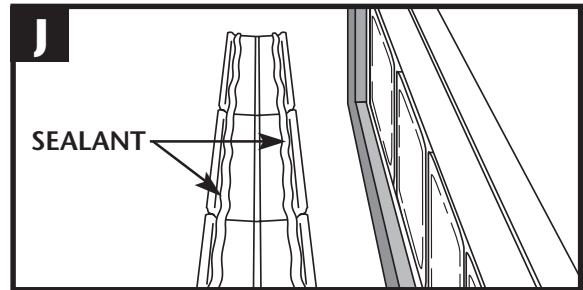
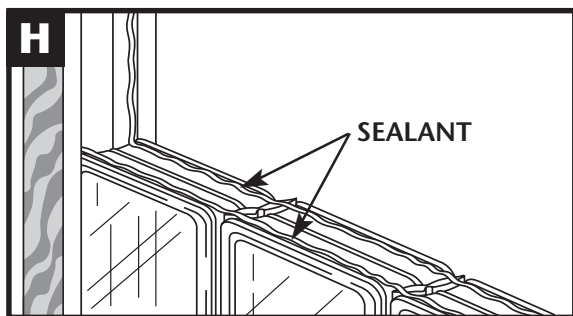
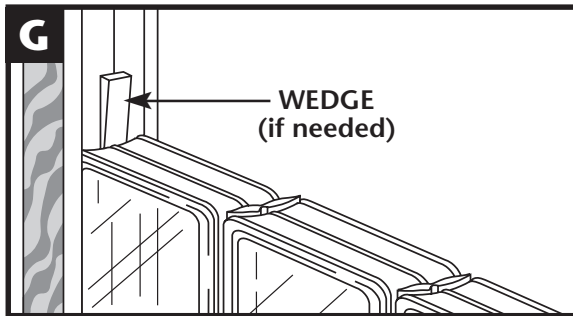
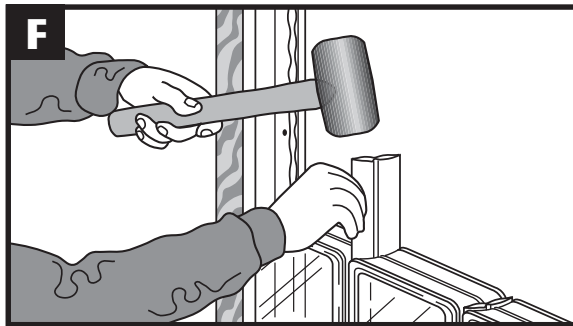
6. Assemble the Panel

- Follow the instructions on the glass block sealant tube to open the tube. Coverage rate is one tube per twenty (20) blocks (adhere horizontal joints only). Cut the tip of the tube on a 45° angle at the $\frac{1}{4}$ " mark. The sealant skins over in 15-17 minutes. Don't apply sealant to more glass blocks than can be installed in 17 minutes.
- Apply beads of sealant on the interior corners of the sill channel the full length (Illus. D). Slide one block into the right jamb, and one into the left jamb. Install the remaining blocks in this row (Illus. E). As you install multiple rows, make sure to apply beads of sealant on the interior corners of the vertical side channels.

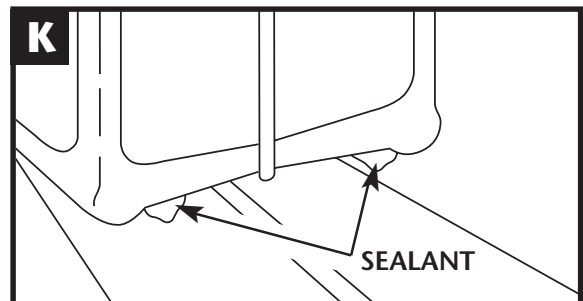


- Install vertical spacers between each of the glass blocks, you may need the rubber mallet to tap the last vertical spacer into position (Illus. F). Inspect each joint for alignment of the spacers. Align this row of blocks between both jambs, you may need to tap a wedge into the right or left jamb to center the row (remove the wedge). See Illus. G.
- Apply a $\frac{1}{4}$ " bead of sealant on across the row of blocks behind the raised edge of the glass block face on both sides of the blocks (Illus. H).

- Place the horizontal spacer on top of the first row of glass blocks (Illus. I). Remove any excess sealant. Adjust size of beads of sealant to prevent squeeze out (keep joint areas clean). If it's necessary to have a joint in the end of the horizontal spacer to extend it, cut the spacers so that the joint is under a vertical spacer. Stagger these horizontal joints from end to end on each proceeding row of glass blocks.

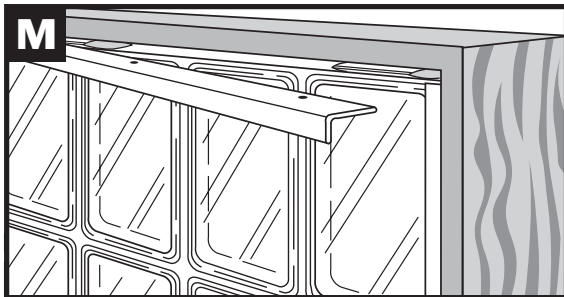
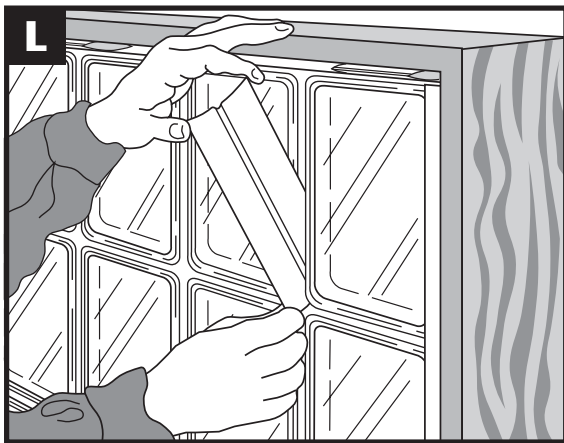


- Line up enough glass blocks to complete the next row. Apply two beads of sealant (Illus. J) and install these blocks sealant side down on horizontal spacer (Illus. K). Install vertical spacers and align the row with previous row.



- Repeat these same procedures for all rows, except the top row.
- Before installing these blocks apply a 1/4" bead of sealant horizontally along the top inside leg of channel where the glass block face butts.
- Install the glass blocks then slide the vertical spacers in from the front of the glass block joints. The last spacer may need to be tapped in with a rubber mallet (Illus. L).

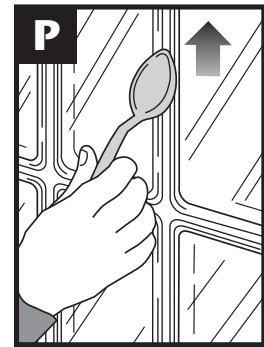
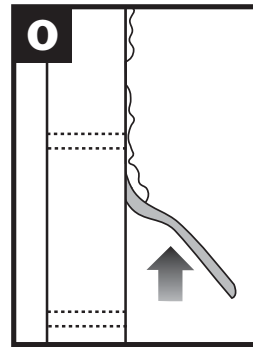
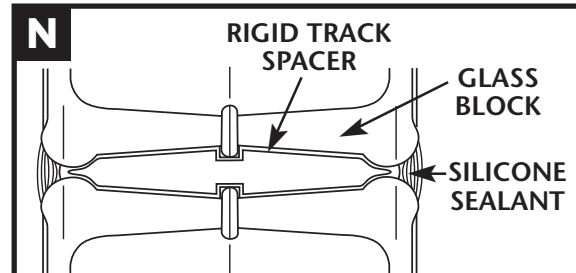
- Now that last row of blocks have been installed, slide **short** pieces cut from the horizontal spacers into the gap between top of blocks and half-channel previously installed, if space permits.
- Apply a $\frac{1}{4}$ " bead of sealant horizontally across the top of the rough opening ($\frac{1}{2}$ " from exposed edge).
- Then apply a $\frac{1}{4}$ " bead of sealant horizontally across the top inside edge of the other half of channel and slide it into place wedging it between the spacer and the top of the rough opening (Illus.M) (you may need a piece of tape to hold the channel in place until the sealant sets).



7. Seal The Joints

Option 1 – Silicone Joints Finish:

- Follow APPLICATION instructions on the glass block sealant tube to open the tube. Coverage rate is one tube per sixteen (16) blocks. The sealant skins over in 15-17 minutes. Don't seal more joints than can be tooled in approximately 17 minutes. Practice the sealing technique before starting.



- Seal the horizontal joints first, pulling the tube through the joint. Slightly over fill the joint. See illustration (Illus. N).
- Use the spoon-shaped finishing tool and push it over the joints at an angle to collect the excess sealant and seal the joint. Periodically wipe the sealant from the joint finishing tool bowl (Illus. O & P).
- Remove any excess sealant from the block faces with the side of your finishing tool.
- Use the same method to fill the vertical joints. Carefully work the joint intersections to create a smooth finish. Repeat this procedure to seal the opposite side of the panel.
- Do not use the back of the finishing tool to smooth joints. This will only smear the silicone.
- Allow the sealant to cure 48 hours before putting any stress on the panel.
- For all exterior panels and panels exposed to water, run a bead of sealant between the perimeter channels and the face of the blocks. Also, between the perimeter channels and the framing. Use the joint finishing tool to seal these joints. Remove excess sealant.
- The piece of perimeter channel along the top (which was wedged in place earlier) must always have a bead of sealant applied between the channel and the frame.

- After 48-hours remove any excess sealant from the glass block faces with a razor blade.
- Clean channel surfaces and glass block faces with glass cleaner or soapy water. Do not use abrasive cleaners or steel wool which may damage the glass surface and silicone.
- Install surrounding wood or other trim, if desired.

Option 2 – Grouted Joint Finish:

IMPORTANT: The ProVantage™ Surface Grout was designed and tested for this application – DO NOT SUBSTITUTE!

- **Caution:** Avoid contact with skin. Safety glasses and impervious gloves are recommended to minimize skin and eye contact.
- This is a fast cure grout and should be applied and completely wiped down within 1 hour. Grout will cure very rapidly after this time period.
- Do not grout the perimeter joints between the blocks and the channels. These joints must be caulked after the grout has dried for a pliable watertight joint.
- Directions must be followed to the exact detail.
- Follow mixing instructions on ProVantage™ Surface Grout. Grout coverage rate is 80 glass block units per 15 lb. bucket. Approximate ratio is: 3 cups grout to 1 cup water (grout should be mixed to a toothpaste-like consistency).
- Apply grout with a rubber float by pushing grout into all joints. Make sure to push grout in from multiple directions to assure joints are FULLY packed with grout. Be careful not to move the glass blocks while grouting, as the wall will still be a bit flexible prior to the grout curing completely. Movement may cause the grout to separate or squeeze out.
- Wipe down the glass block wall using a tile/grout sponge and a clean bucket of water. Always wipe down in a diagonal direction. This will prevent the grout from being wiped out of the joints. Make sure to rinse the sponge frequently, as it will quickly fill up with excess grout. Fully wring out all the water from the sponge prior to wiping.
- Wipe down should recur in multiple directions until all the grout is removed from the block surface, and joints are smooth.
- Let the glass block wall set for 15 minutes, then wipe it down again using a clean bucket of water.
- The grout will cure within four hours. At this point you can begin polishing glass blocks by wiping down with cheesecloth.

- After the grout is completely dry (approx. 4 hrs.), seal the perimeter joints between the blocks and the channels.
- Use a plastic spoon to take off and smooth out any excess sealant.

Grout Sealer

- Wait four hours, then apply grout sealer to all grout joints. Immediately wipe off any excess sealer with a clean, dry cloth to prevent it from adhering to the glass block. For maximum protection it is recommended that you apply a second coat of sealer after first coat has dried.

Maintenance

An important part of the functional beauty of Pittsburgh Corning Glass Block products is that they are virtually maintenance free! There's nothing to rot, rust, peel or paint. All that is needed is an occasional wiping with a damp, soft cloth on interior panels or a hosing on exterior panels. With minimal attention, your Pittsburgh Corning Glass Block panel will remain sparkling and beautiful for years!

Caution: Shower applications—avoid cleaning procedures which may damage the joint sealant and cause water leakage through the joint.

If You Need Assistance

We hope these instructions are clear and answer your questions about the installation of basic, straight Pittsburgh Corning Premiere Series Glass Block panels with the KWIK'N EZ® Premiere Series Rigid Track Spacer System. For additional information on Pittsburgh Corning Glass Block visit our website at www.pittsburghcorning.com or call **1-800-624-2120**.