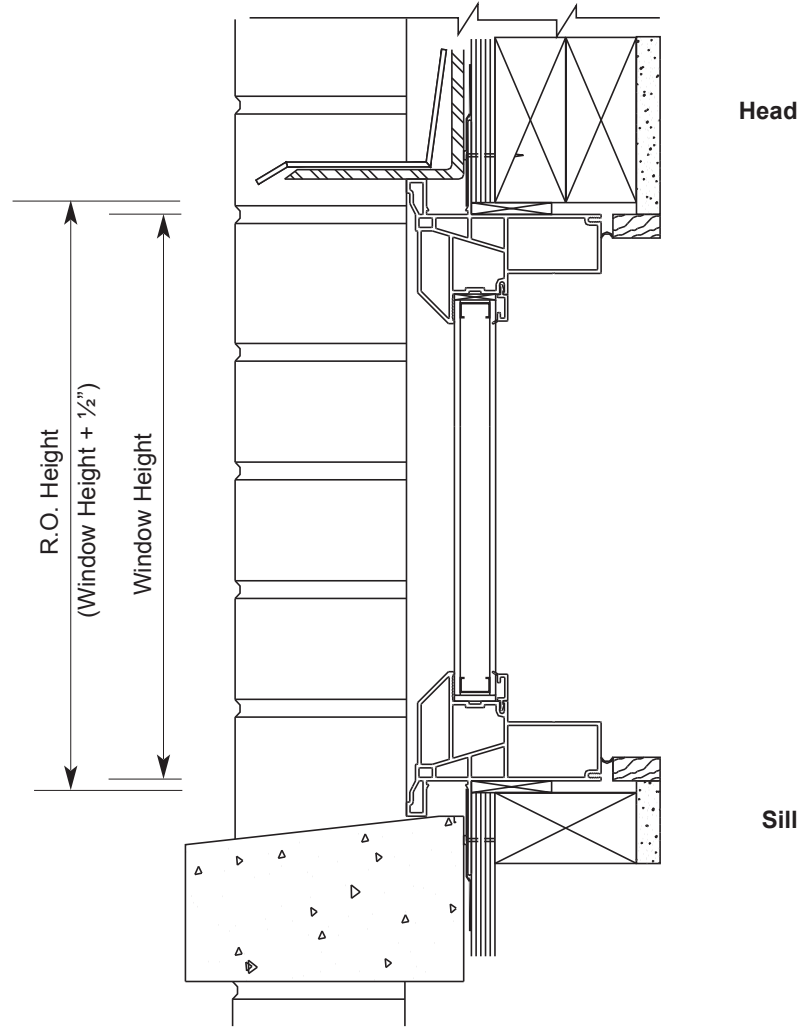


Vertical Section
Brick Frame Construction
Scale: 3" = 1'0" (1:4)



Horizontal Section
Brick Frame Construction
Scale: 3" = 1'0" (1:4)

