



DEPARTMENT OF PERMITTING, ENVIRONMENT, AND REGULATORY
AFFAIRS (PERA)
BOARD AND CODE ADMINISTRATION DIVISION

MIAMI-DADE COUNTY
PRODUCT CONTROL SECTION
11805 SW 26 Street, Room 208
Miami, Florida 33175-2474
T (786) 315-2590 F (786) 315-2599

NOTICE OF ACCEPTANCE (NOA)

www.miamidade.gov/pera/

Pittsburgh Corning Corporation
800 Presque Isle Drive
Pittsburgh, PA 15239

SCOPE: This NOA is being issued under the applicable rules and regulations governing the use of construction materials. The documentation submitted has been reviewed and accepted by Miami-Dade County PERA-Product Control Section to be used in Miami Dade County and other areas where allowed by the Authority Having Jurisdiction (AHJ).

This NOA shall not be valid after the expiration date stated below. The Miami-Dade County Product Control Section (In Miami Dade County) and/or the AHJ (in areas other than Miami Dade County) reserve the right to have this product or material tested for quality assurance purposes. If this product or material fails to perform in the accepted manner, the manufacturer will incur the expense of such testing and the AHJ may immediately revoke, modify, or suspend the use of such product or material within their jurisdiction. PERA reserves the right to revoke this acceptance, if it is determined by Miami-Dade County Product Control Section that this product or material fails to meet the requirements of the applicable building code.

This product is approved as described herein, and has been designed to comply with the Florida Building Code, including the High Velocity Hurricane Zone.

DESCRIPTION: Series "THICKSET 90" Glass Block Window with KWIK'N EZ Rigid PVC Track and Silicone System – L.M.I.

APPROVAL DOCUMENT: Drawing No. KWIK'N EZ-001, titled "KWIK'N EZ Rigid Track Silicone System with THICKSET 90 Series Glass Block" sheets 1 through 3 of 3, dated 02/16/2012, prepared by manufacturer, signed and sealed by Hermes F. Norero, P.E., bearing the Miami-Dade County Product Control revision stamp with the Notice of Acceptance number and expiration date by the Miami-Dade County Product Control Section.

MISSILE IMPACT RATING: Large and Small Missile Impact Resistant

LABELING: Each unit shall bear a permanent label with the manufacturer's name or logo, city, state, model/ series and following statement: "Miami-Dade County Product Control Approved" unless otherwise noted herein.

RENEWAL of this NOA shall be considered after a renewal application has been filed and there has been no change in the applicable building code negatively affecting the performance of this product.

TERMINATION of this NOA will occur after the expiration date or if there has been a revision or change in the materials, use, and/or manufacture of the product or process. Misuse of this NOA as an endorsement of any product, for sales, advertising or any other purposes shall automatically terminate this NOA. Failure to comply with any section of this NOA shall be cause for termination and removal of NOA.

ADVERTISEMENT: The NOA number preceded by the words Miami-Dade County, Florida, and followed by the expiration date may be displayed in advertising literature. If any portion of the NOA is displayed, then it shall be done in its entirety.

INSPECTION: A copy of this entire NOA shall be provided to the user by the manufacturer or its distributors and shall be available for inspection at the job site at the request of the Building Official.

This NOA revises NOA # 10-0622.02 and consists of this page 1 and evidence page E-1, as well as approval document mentioned above.

The submitted documentation was reviewed by Carlos M. Utrera, P.E.



[Signature]
07/18/2012

NOA No. 12-0406.05
Expiration Date: December 01, 2015
Approval Date: July 26, 2012
Page 1

NOTICE OF ACCEPTANCE: EVIDENCE SUBMITTED

A. DRAWINGS

1. Drawing **KWiK'N EZ-001**, titled "KWiK'N EZ Rigid Track Silicone System with THICKSET 90 Series Glass Block" sheets 1 through 3 of 3, dated 02/16/2012, signed and sealed by Hermes F. Norero, P.E.

B. TESTS "Submitted under NOA # 04-0301.01"

1. Test reports on 1) Air Infiltration Test, per FBC, TAS 202-94
2) Uniform Static Air Pressure Test, Loading per FBC TAS 202-94
3) Water Resistance Test, per FBC, TAS 202-94
4) Large Missile Impact Test per FBC, TAS 201-94
5) Cyclic Wind Pressure Loading per FBC, TAS 203-94
6) Forced Entry Test, per FBC 2411 3.2.1, TAS 202-94
along with marked-up drawings and installation diagram of Series/Model 8" x 8" x 4" THICKSET 90 glass block assembly", prepared by Architectural Testing, Inc., Test Report No. **01-44639.03**, dated 12/02/2003, signed and sealed by Joseph A. Reed, P.E.

C. CALCULATIONS

1. Anchor calculations prepared by Building Drops, dated 04/03/2012, signed and sealed by Hermes F. Norero, P.E.

"Submitted under NOA # 04-0301.01"
2. Calculations prepared by Engineering Analytics, Inc, sheets 1 through 4, of Thickset Series Fasteners, dated 05/02/2005, signed and sealed by Carol D. Hays, P.E.

D. QUALITY ASSURANCE

1. Miami-Dade Department of Permitting, Environment, and Regulatory Affairs (PERA)

E. MATERIAL CERTIFICATIONS

1. Notice of Acceptance No. **10-0812.03**, issued to Caravelle Int'l, LLC dba Quaker Plastics, for their PVC Extrusions with Silicon for Glass Blocks, approved on 12/30/2010 and expiring on 12/01/2015.

F. STATEMENTS

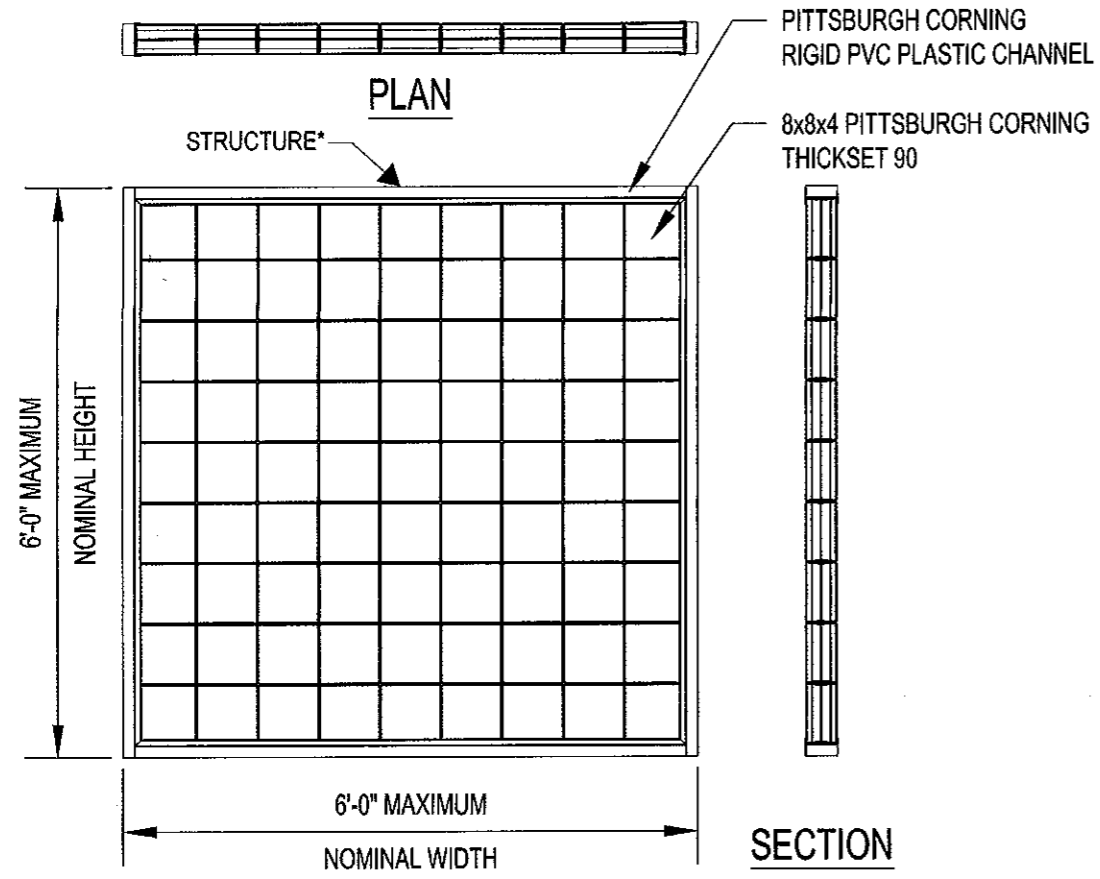
1. Statement letter of code conformance to 2010 FBC and no financial interest, issued by Building Drops, dated 04/03/2012, signed and sealed by Hermes F. Norero, P.E.

"Submitted under NOA # 10-0622.02"
2. Statement letter of Code compliance to FBC 2007, issued by Engineering Analytics, Inc, dated 06/04/2010, signed and sealed by Carol D. Hays, Ph.D., P.E.


/07/10/2012

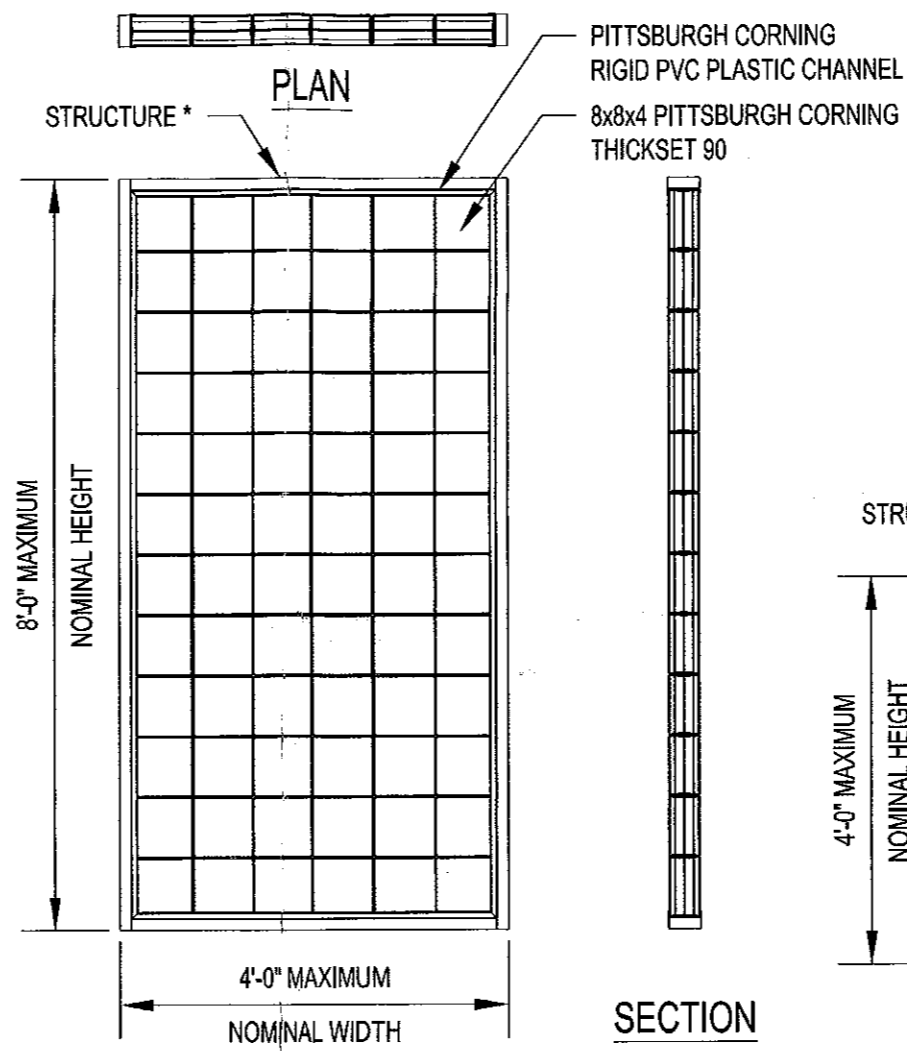
Carlos M. Utrera, P.E.
Product Control Examiner
NOA No. 12-0406.05
Expiration Date: December 01, 2015
Approval Date: July 26, 2012

REVISIONS		
REV	DESCRIPTION	DATE
1	DELETED REFERENCE TO PVC-NOA IN SECOND SPECIFICATION NOTE; ADDED CHANNEL & SPACER DETAILS	08/04
2	ADDED SHIM SPACES TO SPECIFICATIONS	05/05
3	REVISIONS TO REFLECT REFERENCE TO NEW NOA NUMBER FOR SPACER & CHANNEL; NEW FABRICATION & BUYING OPTIONS; AND FOR RESIDENTIAL USE ONLY	02/16/12



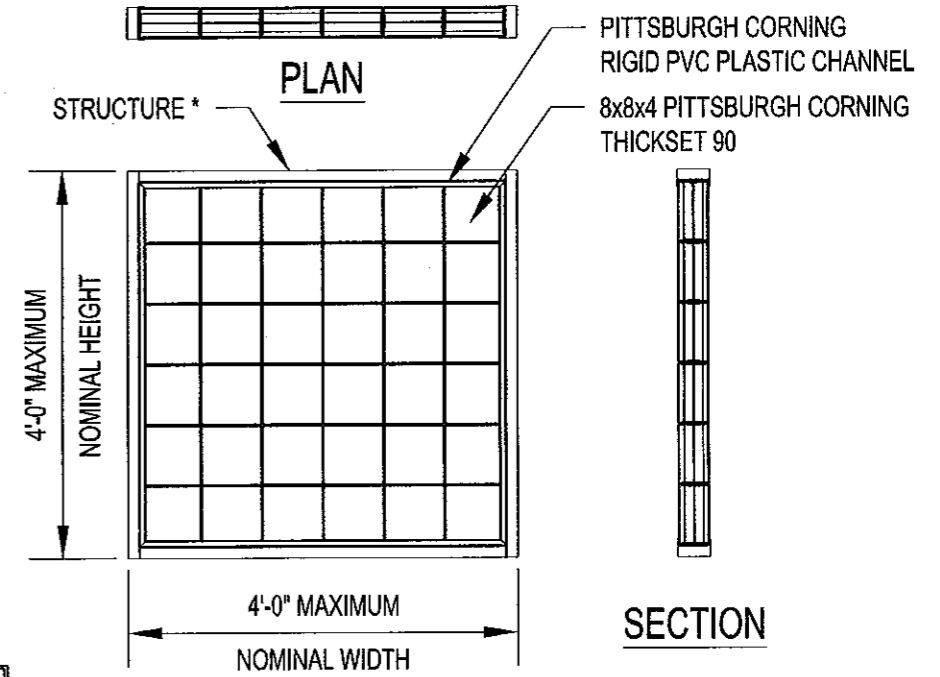
ELEVATION
9 BLOCKS x 9 BLOCKS

IMPACT RESISTANT
DESIGN PRESSURE RATING
± 68.0 PSF



ELEVATION
6 BLOCKS x 12 BLOCKS

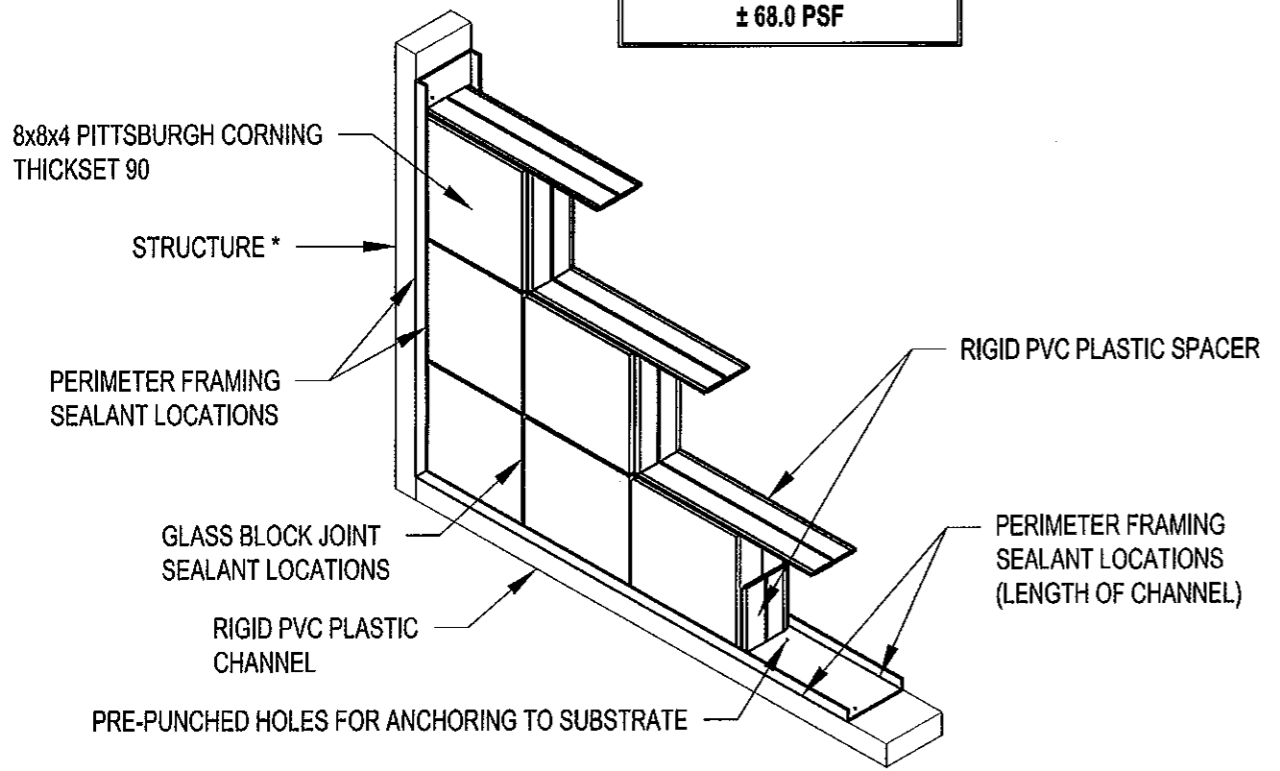
IMPACT RESISTANT
DESIGN PRESSURE RATING
± 80.0 PSF



ELEVATION
6 BLOCKS x 6 BLOCKS

IMPACT RESISTANT
DESIGN PRESSURE RATING
± 100.0 PSF

* SEE ANCHOR SCHEDULE, SHEET 3.



PRODUCT REVISED
as complying with the Florida Building Code
Acceptance No. 12-0406.05
Expiration Date 12/01/2015
By *[Signature]*
Miami Trade Product Control

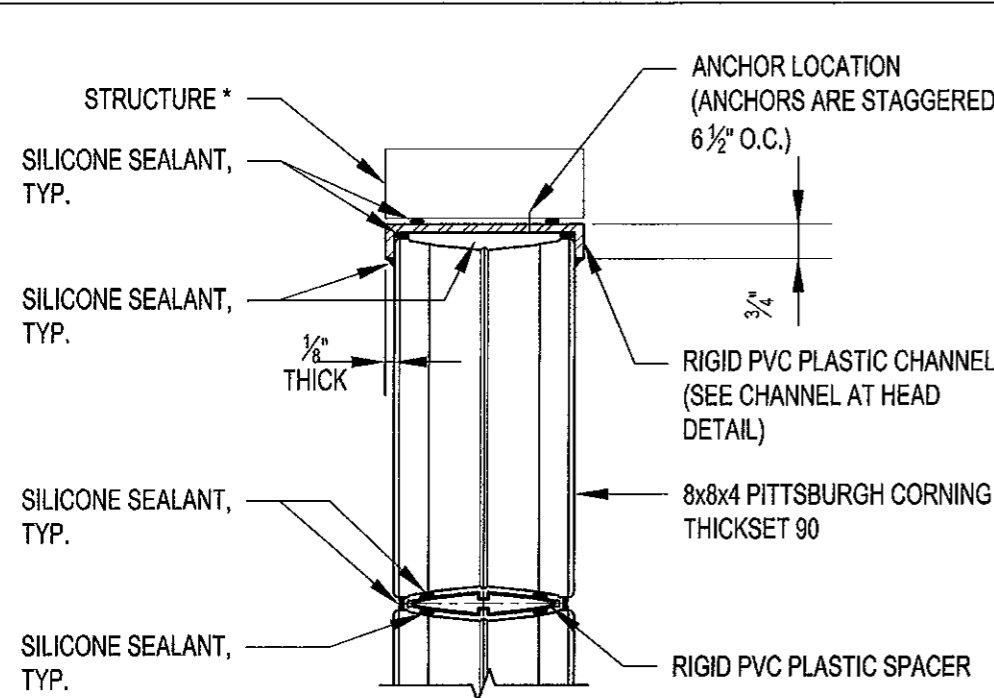
[Signature]
4-3-2012

HERMES F. NÓRERO, P.E.
FLORIDA P.E. NO. 73778
127 W. FAIRBANKS AVE., STE. 438
WINTER PARK, FL 32789
FBPE CERT. OF AUTHORIZATION NO. 29578

TITLE
**KWIK'N EZ® Rigid Track Silicone System
With THICKSET® 90 Series Glass Block**

PITTSBURGH CORNING CORP.
800 PRESQUE ISLE DRIVE
PITTSBURGH, PA 15239

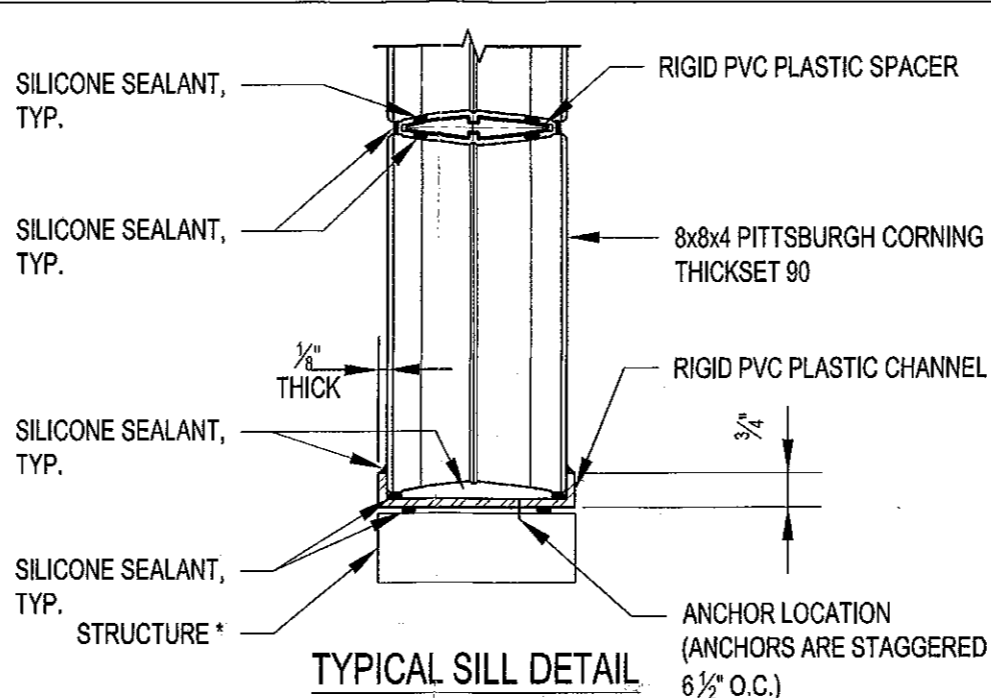
SCALE 1/2" = 1'-0"	DWG. NO. KWIK'N EZ-001	REV 3
BY LBA	DATE 02/16/2012	SHEET 1 OF 3



TYPICAL HEAD DETAIL

SCALE: 3" = 1'-0"

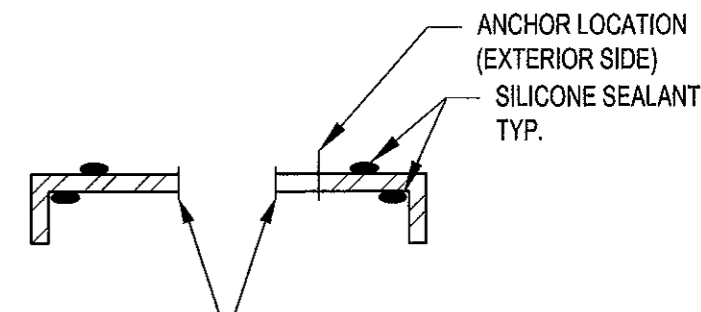
* SEE ANCHOR SCHEDULE, SHEET 3.



TYPICAL SILL DETAIL

SCALE: 3" = 1'-0"

REVISIONS		
REV	DESCRIPTION	DATE
1	DELETED REFERENCE TO PVC-NOA IN SECOND SPECIFICATION NOTE; ADDED CHANNEL & SPACER DETAILS	08/04
2	ADDED SHIM SPACES TO SPECIFICATIONS	05/05
3	REVISIONS TO REFLECT REFERENCE TO NEW NOA NUMBER FOR SPACER & CHANNEL; NEW FABRICATION & BUYING OPTIONS; AND FOR RESIDENTIAL USE ONLY	02/16/12



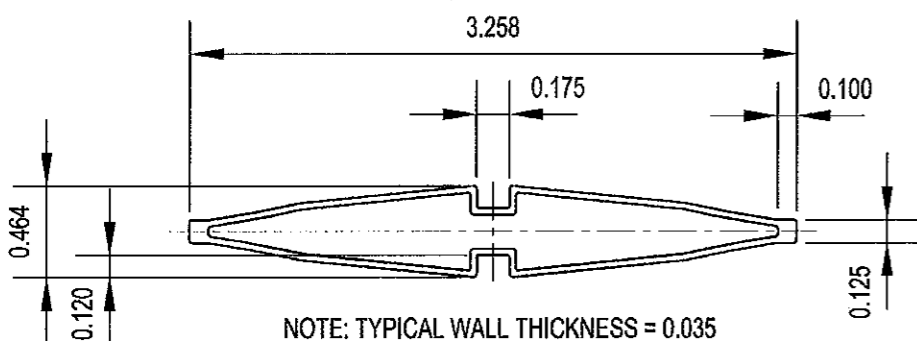
PERIMETER CHANNEL, AT HEAD, TO BE CUT LENGTHWISE DOWN THE CENTER FOR INSTALLATION OF LAST ROW OF GLASS BLOCK.

HALF CHANNEL PIECE THAT IS SECURED WITH SCREWS, SHOULD BE ON THE EXTERIOR SIDE.

1/4" BEAD OF SEALANT APPLIED HORIZONTALLY ACROSS THE TOP INSIDE CORNERS OF CHANNEL HALVES.

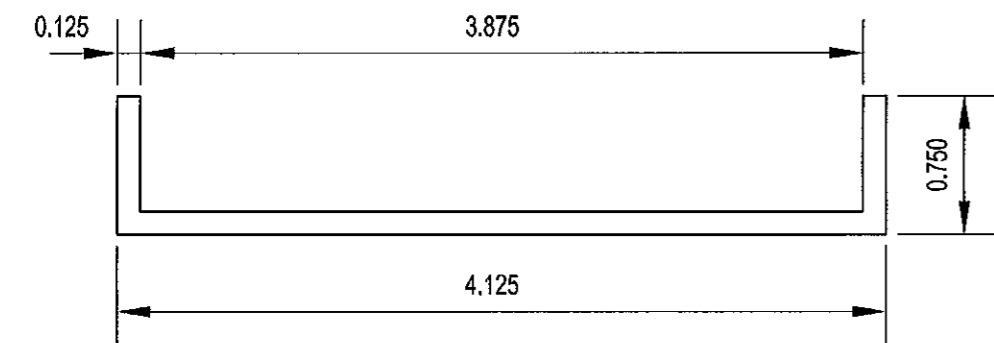
CHANNEL AT HEAD DETAIL

SCALE: 1/2" = 1"



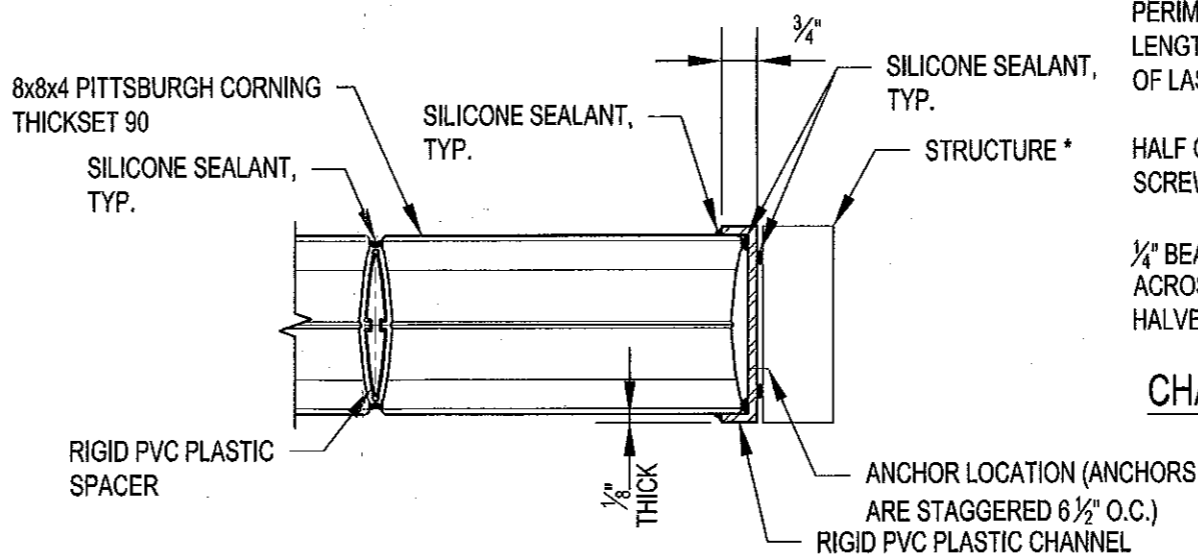
NOTE: TYPICAL WALL THICKNESS = 0.035
PVC SPACER (NO. QP-0514)
NOA#10-0812.03

SCALE 1:1



PVC CHANNEL (NO. QP-0477)
NOA#10-0812.03

SCALE 1:1



TYPICAL JAMB DETAIL

SCALE: 3" = 1'-0"

PRODUCT REVISED
as complying with the Florida
Building Code
Acceptance No. 12-0406-05
Expiration Date 12/01/2015
By *[Signature]*
Miami Dade Product Control

[Signature]
4-3-2012
HERMES F. NORRERO, P.E.
FLORIDA P.E. NO. 78778
127 W. FAIRDANKS AVE., STE. 43C
WINTER PARK, FL 32789
FBPE CERT. OF AUTHORIZATION NO. 29578

TITLE
**KWIK'N EZ® Rigid Track Silicone System
With THICKSET® 90 Series Glass Block**

**PITTSBURGH CORNING CORP.
800 PRESQUE ISLE DRIVE
PITTSBURGH, PA 15239**

SCALE	VARIES	DWG. NO.	KWIK'N EZ-001	REV	3
BY	LBA	DATE	02/16/2012	SHEET	2 OF 3

SPECIFICATION NOTES:

- **GLASS BLOCK UNITS:** Thickset® 90 Series 8"x8"x4" or 6"x6"x4" (nominal size).
- **FRAME AND SPACERS:** Extruded white rigid PVC. Frame corners are cut square or mitered and are silicone sealed. Extruded by Quaker Plastic Corporation with NOA #10-0812.03.
- **SEALANT:** Pittsburgh Corning Glass Block Sealant. One part neutral fast curing structural silicone sealant.
- **SEALANT LOCATIONS:** All horizontal and vertical glass block joints; inside corners of perimeter channels; two beads (1/2" from each edge) between back of perimeter channels and framing members; two beads each above and below "long" horizontal spacer (no sealant required for "short" vertical spacers); perimeter joints between glass block and channel legs; and perimeter joints between channels and framing members.
- **REINFORCEMENT:** PVC spacers between all horizontal and vertical joints. Spacers in channels are not required.
- **SHIM SPACES:** Maximum 1/4" shim space between the perimeter channel and structure.
- **FIELD INSTALLATION:** Loose materials (glass block, spacers, channels and sealant) are available from Pittsburgh Corning Corporation authorized distributors, dealers and home centers for on-site installation. Complete window units, framed within 2x6 treated lumber, and pre-fabricated by Pittsburgh Corning Corporation in accordance with this NOA, are also available from authorized distributors, dealers and home centers. **NOTE:** These windows are recommended for residential applications only.

REVISIONS		
REV	DESCRIPTION	DATE
1	DELETED REFERENCE TO PVC-NOA IN SECOND SPECIFICATION NOTE; ADDED CHANNEL & SPACER DETAILS	08/04
2	ADDED SHIM SPACES TO SPECIFICATIONS	05/05
3	REVISIONS TO REFLECT REFERENCE TO NEW NOA NUMBER FOR SPACER & CHANNEL; NEW FABRICATION & BUYING OPTIONS; AND FOR RESIDENTIAL USE ONLY	02/16/12

ANCHORAGE SCHEDULE					
SUBSTRATE	MATERIAL DATA	FASTENER	SPACING	MIN. EMBEDMENT (E)	MIN. EDGE DISTANCE (E.D.)
STEEL	MIN. 18 GA. f _y = 33 KSI	#10 SDS SAE GR. 5 SCREW (FLAT HEAD)	2" FROM CORNER, 6 1/2" O.C.	3 THREADS PENETRATION BEYOND STEEL FRAMING	N/A
CONCRETE	MIN. f _c = 3000 PSI	3/16" Ø HILTI KWIK CON II (FLAT HEAD)	2" FROM CORNER, 6 1/2" O.C.	1"	2 1/2"
MASONRY	CONFORMS TO ASTM C90 GROUT CONFORMS TO ASTM C476 MIN. GROUT f _c = 2000 PSI	3/16" Ø HILTI KWIK CON II (FLAT HEAD)	2" FROM CORNER, 6 1/2" O.C.	1"	2 1/2"
WOOD	MIN. S.G. = 0.55	#6 WOOD SCREW (FLAT HEAD)	2" FROM CORNER, 6 1/2" O.C.	1"	3/4"

PITTSBURGH CORNING GLASS BLOCK			
SERIES	PATTERN	NOMINAL DIM.	FACE THICKNESS
THICKSET® 90	DECORA®	8"x8"x4"	0.75 IN.
		6"x6"x4"	0.75 IN.
THICKSET® 90	VUE®	8"x8"x4"	0.75 IN.
		6"x6"x4"	0.75 IN.
THICKSET® 90	ENDURA®	8"x8"x4"	0.75 IN.

PRODUCT REVISED as complying with the Florida Building Code Acceptance No 12-0406.05 Expiration Date 12/01/2015 By <i>[Signature]</i> Miami Trade Product Control		TITLE KWIK'N EZ® Rigid Track Silicone System With THICKSET® 90 Series Glass Block	
		PITTSBURGH CORNING CORP. 800 PRESQUE ISLE DRIVE PITTSBURGH, PA 15239	
SCALE	NTS	DWG. NO.	KWIK'N EZ-001
BY	LBA	DATE	02/16/2012
		SHEET	3 OF 3