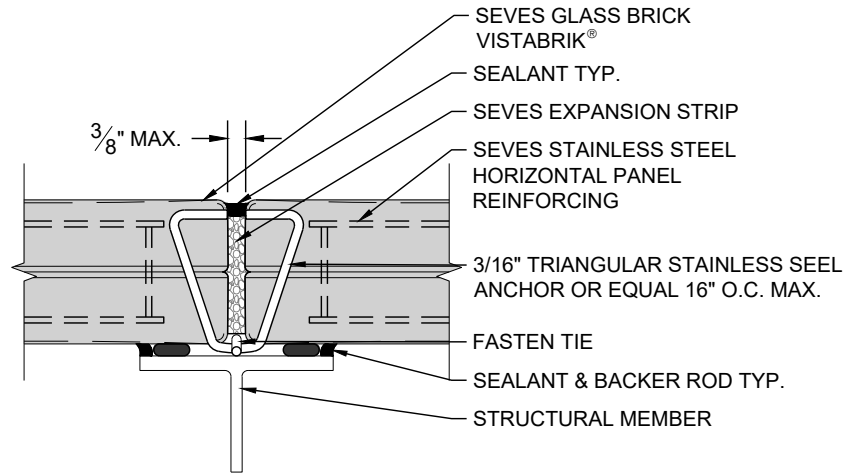


VERTICAL STIFFENER



- SEVES GLASS BRICK VISTABRIK®
- SEALANT TYP.
- SEVES EXPANSION STRIP
- SEVES STAINLESS STEEL HORIZONTAL PANEL REINFORCING
- 3/16" TRIANGULAR STAINLESS SEEL ANCHOR OR EQUAL 16" O.C. MAX.
- FASTEN TIE
- SEALANT & BACKER ROD TYP.
- STRUCTURAL MEMBER

INTERMEDIATE SUPPORT IN MULTIPLE HORIZONTAL PANELS

	PROJECT VISTABRIK® CONSTRUCTION DETAIL		
	TITLE VISTABRIK® TRIANGLE ANCHOR INTERMEDIATE SUPPORT IN MULTIPLE HORIZONTAL PANELS		
	SCALE 3"=1'-0"	DWG. NO. VB-250	REV 0
	BY MAI	DATE 05/22/2020	SHEET 1

CONFIDENTIAL – PROPRIETARY THESE DRAWINGS WERE CREATED BY AND REMAIN THE PROPERTY OF SEVES GLASS BLOCK INC. UNAUTHORIZED DISCLOSURE, DISTRIBUTION OR COPYING OF THESE DRAWINGS IS STRICTLY PROHIBITED. THE FOLLOWING DETAILS ILLUSTRATE DESIGN INTENT; VARIATIONS MAYBE ACCEPTABLE. PLEASE CONTACT SEVES GLASS BLOCK TECHNICAL DEPARTMENT FOR FURTHER CONSULTATION.