



DEPARTMENT OF PERMITTING, ENVIRONMENT, AND REGULATORY
AFFAIRS (PERA)
BOARD AND CODE ADMINISTRATION DIVISION
NOTICE OF ACCEPTANCE (NOA)

MIAMI-DADE COUNTY
PRODUCT CONTROL SECTION
11805 SW 26 Street, Room 208
Miami, Florida 33175-2474
T (786) 315-2590 F (786) 315-2599
www.miamidade.gov/pera/

Pittsburgh Corning Corporation
800 Presque Isle Drive
Pittsburgh, PA 15239

SCOPE: This NOA is being issued under the applicable rules and regulations governing the use of construction materials. The documentation submitted has been reviewed and accepted by Miami-Dade County PERA-Product Control Section to be used in Miami Dade County and other areas where allowed by the Authority Having Jurisdiction (AHJ).

This NOA shall not be valid after the expiration date stated below. The Miami-Dade County Product Control Section (In Miami Dade County) and/or the AHJ (in areas other than Miami Dade County) reserve the right to have this product or material tested for quality assurance purposes. If this product or material fails to perform in the accepted manner, the manufacturer will incur the expense of such testing and the AHJ may immediately revoke, modify, or suspend the use of such product or material within their jurisdiction. PERA reserves the right to revoke this acceptance, if it is determined by Miami-Dade County Product Control Section that this product or material fails to meet the requirements of the applicable building code. This product is approved as described herein, and has been designed to comply with the Florida Building Code, including the High Velocity Hurricane Zone.

DESCRIPTION: Glass Block Mortar System

APPROVAL DOCUMENT: Drawing No. **Mortar-001**, titled "Glass Block Mortar System: 4" Thick Hollow and 3" Thick Solid Glass Block and Generic Construction Details-Isometric Views", sheets 1 through 4 of 4, dated 03/16/2012 and 03/02/2012, prepared for the manufacturer, signed and sealed by Hermes F. Norero, P.E., bearing the Miami-Dade County Product Control revision stamp with the Notice of Acceptance number and expiration date by the Miami-Dade County Product Control Section.

MISSILE IMPACT RATING: Small Missile Impact Resistant (Thickset 90 and Vistabrik Series Only)

LABELING: Each unit shall bear a permanent label with the manufacturer's name or logo, city, state and following statement: "Miami-Dade County Product Control Approved", unless otherwise noted herein.

RENEWAL of this NOA shall be considered after a renewal application has been filed and there has been no change in the applicable building code negatively affecting the performance of this product.

TERMINATION of this NOA will occur after the expiration date or if there has been a revision or change in the materials, use, and/or manufacture of the product or process. Misuse of this NOA as an endorsement of any product, for sales, advertising or any other purposes shall automatically terminate this NOA. Failure to comply with any section of this NOA shall be cause for termination and removal of NOA.

ADVERTISEMENT: The NOA number preceded by the words Miami-Dade County, Florida, and followed by the expiration date may be displayed in advertising literature. If any portion of the NOA is displayed, then it shall be done in its entirety.

INSPECTION: A copy of this entire NOA shall be provided to the user by the manufacturer or its distributors and shall be available for inspection at the job site at the request of the Building Official.

This NOA revises NOA # 07-0626.10 and consists of this page 1 and evidence page E-1, as well as approval document mentioned above.

The submitted documentation was reviewed by **Carlos M. Utrera, P.E.**



[Signature]
07/18/2012

NOA No. 12-0406.06
Expiration Date: August 9, 2017
Approval Date: July 26, 2012
Page 1

NOTICE OF ACCEPTANCE: EVIDENCE SUBMITTED

A. DRAWINGS

1. Drawing No. **Mortar-001**, titled "Glass Block Mortar System: 4" Thick Hollow and 3" Thick Solid Glass Block and Generic Construction Details-Isometric Views", sheets 1 through 4 of 4, dated 03/16/2012 and 03/02/2012, prepared for the manufacturer, signed and sealed by Hermes F. Norero, P.E.

B. TESTS *"Submitted under NOA # 07-0626.10"*

1. Test report on Small Missile Impact Test per FBC TAS 201-94, Uniform Static Air Pressure and Air Infiltration Test per FBC TAS 202-94 and Cyclic Wind Pressure Loading per FBC TAS 203-94, prepared by Architectural Testing, Inc., Test Report No. **66795.01-109-18**, dated 06/19/2007, signed and sealed by Michael D. Stremmel, P.E.

C. CALCULATIONS

1. Anchor calculations prepared by Building Drops, dated 04/03/2012, signed and sealed by Hermes F. Norero, P.E.

"Submitted under NOA # 07-0626.10"

2. Channel and Fastener Calculations, prepared by Engineering Analytics, Inc., dated 06/11/2007, signed and sealed by Carol D. Hays, Ph.D., P.E.

D. QUALITY ASSURANCE

1. Miami-Dade Department of Permitting, Environment, and Regulatory Affairs (PERA)

E. MATERIAL CERTIFICATIONS

1. None.

F. STATEMENTS

1. Statement letter of code conformance to 2010 FBC and no financial interest, issued by Building Drops, dated 04/03/2012, signed and sealed by Hermes F. Norero, P.E.

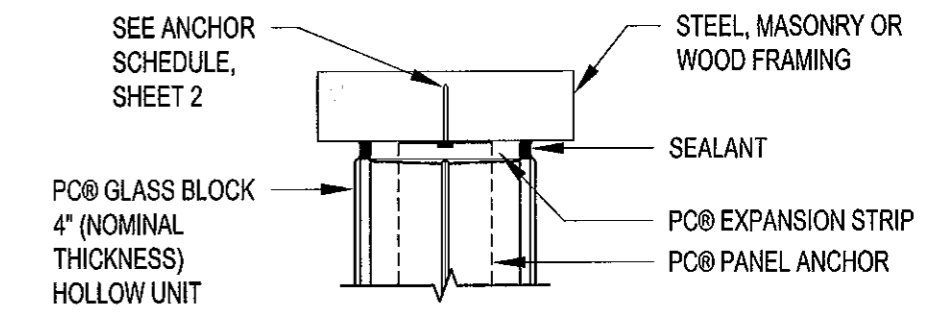
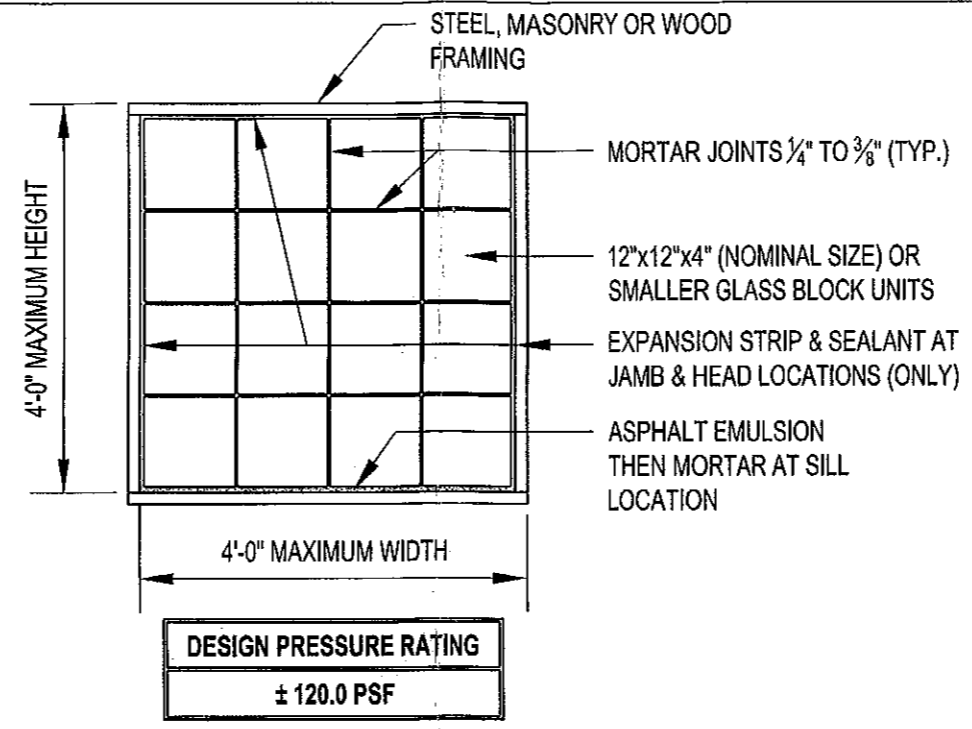
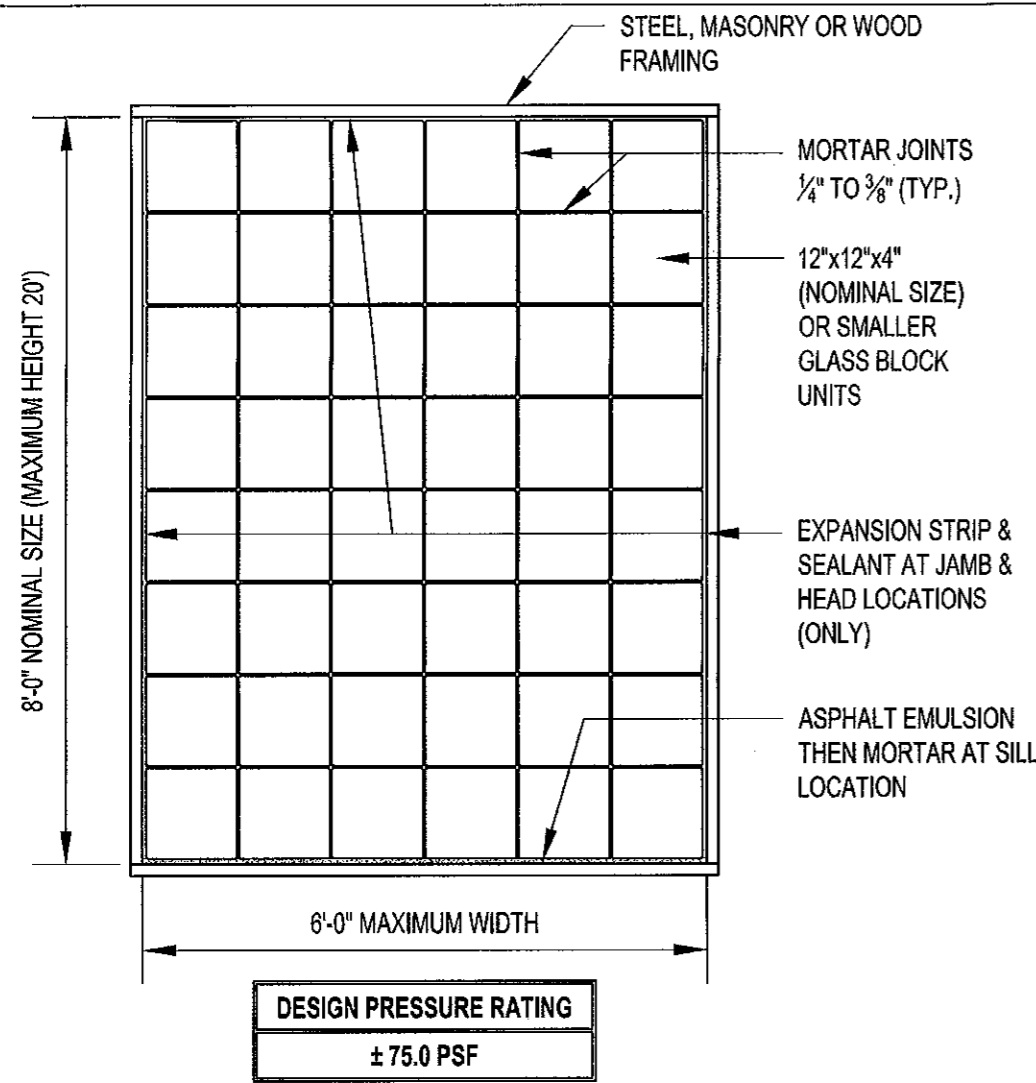
"Submitted under NOA # 07-0626.10"

2. Code compliance letter issued by Engineering Analytics, Inc., dated 06/22/2007, signed and sealed by Carol D. Hays, Ph.D., P.E.
3. No financial interest letter issued by Pittsburgh Corning Corporation, dated 06/21/2007, signed by Nicholas T. Loomis, P.E.
4. Code compliance letter issued by Architectural Testing, Inc., dated 06/19/2007, signed and sealed by Michael D. Stremmel, P.E.

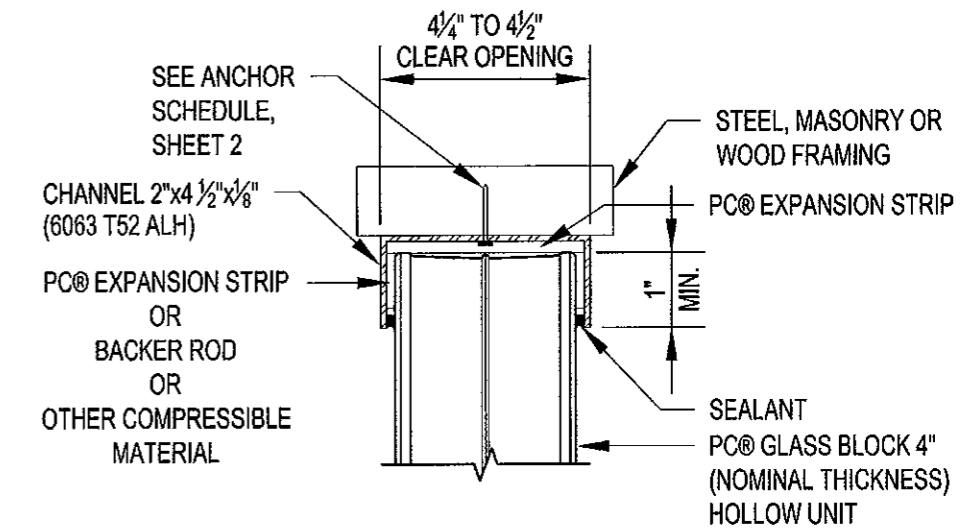


Carlos M. Utrera, P.E.
Product Control Examiner
NOA No. 12-0406.06
Expiration Date: August 9, 2017
Approval Date: July 26, 2012

REVISIONS		
REV	DESCRIPTION	DATE
1	CHANGES TO REFLECT NEW FLORIDA BUILDING CODE AND RENEWED NOA.	03/16/12



**PANEL ANCHOR RESTRAINT
DETAIL**
SCALE: 3" = 1'-0"



**CHANNEL RESTRAINT
DETAIL**
SCALE: 3" = 1'-0"

DESIGN PRESSURE RATING
± 75.0 PSF

DESIGN PRESSURE RATING
± 120.0 PSF

PITTSBURGH CORNING GLASS BLOCK HOLLOW UNITS (NOMINAL) 4" THICK					
SERIES	PATTERNS	NOMINAL DIM.	FACE THICKNESS	LARGE MISSILE IMPACT RESISTANT	SMALL MISSILE IMPACT RESISTANT
PREMIERE All 4" thick (nominal) Glass Block	All patterns	12"x12"x4" and all other smaller face sizes	0.187" (0.375" for 12"x12")	No	No
THICKSET® 60 All 4" thick (nominal) Glass Block	All patterns	8"x8"x4" and all other smaller face sizes	0.375"	No	No
THICKSET® 90 All 4" thick (nominal) Glass Block	All patterns	8"x8"x4" and all other smaller face sizes	0.750"	No	Yes Can be used without hurricane protection above 30 ft. from grade
ENERGY EFFICIENT All 4" thick (nominal) Glass Block (with inserts)	All patterns	8"x8"x4" and all other smaller face sizes	0.187" (With 0.125" glass insert)	No	No

PRODUCT REVISED as complying with the Florida Building Code Acceptance No 12-0406.06 Expiration Date 08/09/2017 By <i>[Signature]</i> Miami Dade Product Control		TITLE Glass Block Mortar System 4" Thick Hollow Glass Block		
		PITTSBURGH CORNING CORP. 800 PRESQUE ISLE DRIVE PITTSBURGH, PA 15239		
SCALE 1/2" = 1'-0"	DWG. NO. MORTAR-001	DATE 03/16/2012	BY LBA	REV 1

SPECIFICATIONS (FOR NOMINAL 4" THICK HOLLOW GLASS BLOCK):

- GLASS BLOCK UNITS:** 12"x12"x4" (nominal size) or smaller (face dimensions). Glass block thickness must be minimum 4" nominal (3 7/8" actual). Glass block units may be colored, may have fibrous glass inserts (LX inserts), may have glass inserts with coatings (Energy Efficient Glass Block), and may have metallic oxide coatings (Solar Reflective Coatings), as manufactured by Pittsburgh Corning Corporation.
- MORTAR:** Type "S" per ASTM C270.
- REINFORCEMENT:** Ladder Type, 9-gauge, 2" wide with butt-welded crosswires spaced at 16" o.c., hot-dipped galvanized or stainless steel, as available from Pittsburgh Corning Corporation. Placement is at horizontal joints (only) at a spacing of no more than 16" o.c. vertically. **Note:** Placement of reinforcing for 12"x12"x4" (nominal sized) glass block is at every horizontal joint.
- PANEL ANCHORS:** Hot-dipped galvanized 20-gauge perforated steel strips, 24" long by 1 3/4" wide, or stainless steel 22-gauge perforated steel strips, 16" long by 1 3/4" wide, as available from Pittsburgh Corning Corporation. Placement is at both jamb and head locations. See anchor schedule for specific anchor types and spacing. **Note:** Placement of panel anchors for 12"x12"x4" (nominal sized) glass block is at every joint up both jambs and across the head. Embedment of panel anchors into mortar joints shall be at least 12 inches.
- CHANNELS:** Aluminum (6063-T52ALH) 2"x4 1/2"x1/8", as available from Julius Blum & Co., Inc. (1-800-526-6293), or equal. Placement is at both jamb and head locations. See anchor schedule for specific anchor types and spacing.
- EXPANSION MATERIAL:** Polyethylene type, 3/8" thick, as available from Pittsburgh Corning Corporation. Placed at both jamb and head locations.
- SEALANT:** Silicone type. Placed at both jamb and head locations and on both exterior and interior sides.
- ASPHALT EMULSION:** A water-based asphalt emulsion, by Kamak Chemical Corporation (Kamak 100, 1-800-526-4236), or equal.

REVISIONS		
REV	DESCRIPTION	DATE
1	CHANGES TO REFLECT NEW FLORIDA BUILDING CODE AND RENEWED NOA.	03/16/12

REQUIRED MINIMUM ANCHOR SPACING

SIZE	DESIGN PRESSURE	ALUMINUM ANGLE / CHANNEL SPACING		STEEL PANEL ANCHOR SPACING	
		HEAD	JAMBS	HEAD	JAMBS
48"x48"	+120/-120 PSF	2" FROM CORNER, 16" O.C.	2" FROM CORNER, 11" O.C.	MAX. 16" O.C. (MIN. (2) ANCHORS PER LOCATION)	MAX. 16" O.C. (MIN. (2) ANCHORS PER LOCATION)
48"x96"	+80/-80 PSF	2" FROM CORNER, 16" O.C.	2" FROM CORNER, 16" O.C.	MAX. 16" O.C. (MIN. (2) ANCHORS PER LOCATION)	MAX. 16" O.C. (MIN. (2) ANCHORS PER LOCATION)
72"x96"	+75/-75 PSF	2" FROM CORNER, 16" O.C.	2" FROM CORNER, 11 1/2" O.C.	MAX. 16" O.C. (MIN. (2) ANCHORS PER LOCATION)	MAX. 16" O.C. (MIN. (2) ANCHORS PER LOCATION)

ANCHORAGE SCHEDULE

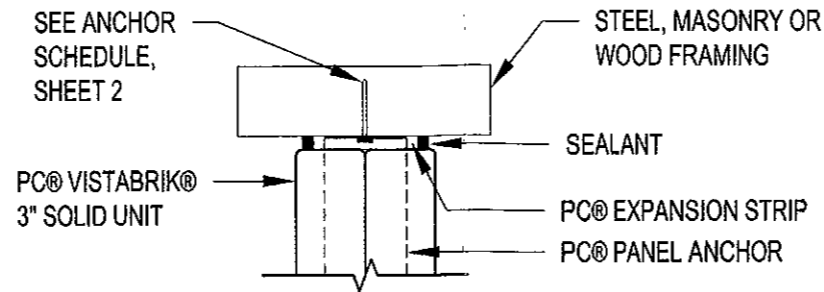
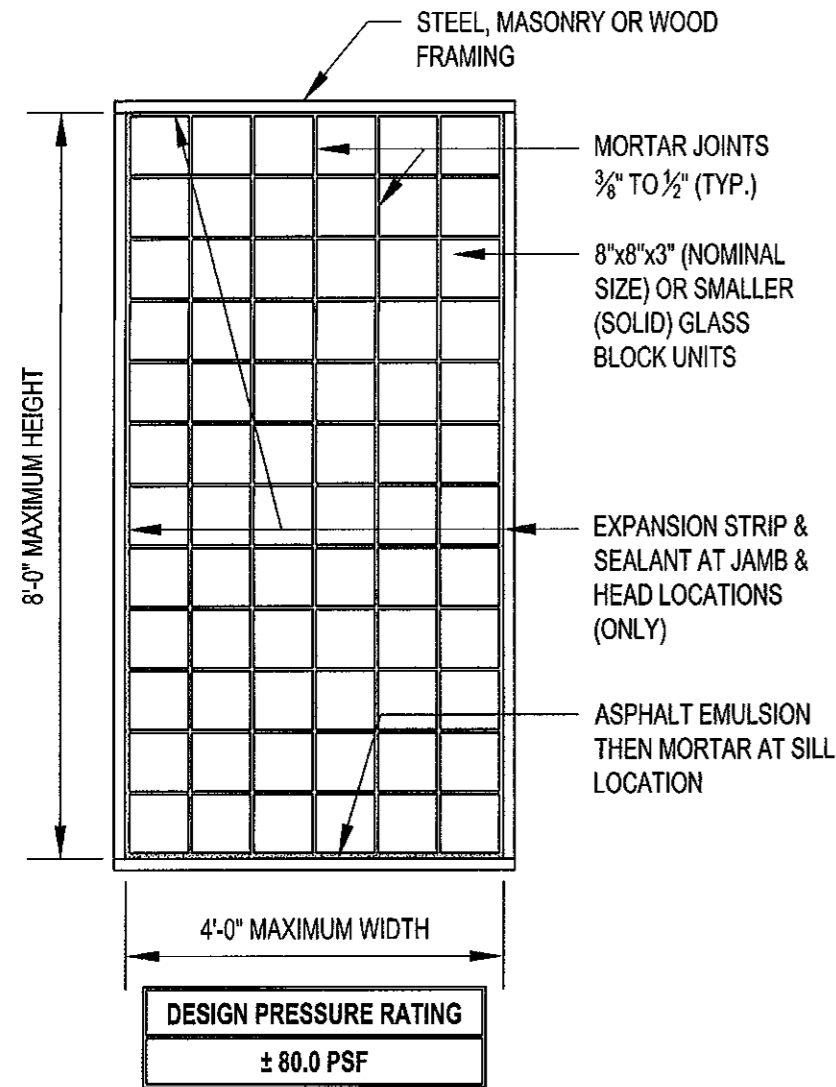
SUBSTRATE	MATERIAL DATA	FASTENER	MIN. EMBEDMENT (E)	MIN. EDGE DISTANCE (E.D.)
STEEL	MIN. 18 GA. f _y = 33 KSI	#10 SDS SAE GR. 5 SCREW (FLAT HEAD)	3 THREADS PENETRATION BEYOND STEEL FRAMING	N/A
CONCRETE	MIN. f _c = 3000 PSI	3/16" Ø HILTI KWIK CON II (FLAT HEAD)	1"	2 1/2"
MASONRY	CONFORMS TO ASTM C90 GROUT CONFORMS TO ASTM C476 MIN. GROUT f _c = 2000 PSI	3/16" Ø HILTI KWIK CON II (FLAT HEAD)	1"	2 1/2"
WOOD	MIN. S.G. = 0.55	#10 WOOD SCREW (FLAT HEAD)	1 1/2"	3/4"

PRODUCT REVISED
as complying with the Florida
Building Code
Acceptance No. 12-0406.06
Expiration Date 08/09/2017
By *[Signature]*
Manufacture Product Control

[Signature]
4-13-2012
HERMES F. NORRIS, P.E.
FLORIDA P.E. NO. 73718
127 W. FAIRBANKS AVE., STE. 438
WINTER PARK, FL 32789
FBPE CERT. OF AUTHORIZATION NO. 29578

TITLE Glass Block Mortar System 4" Thick Hollow Glass Block			
PITTSBURGH CORNING CORP. 800 PRESQUE ISLE DRIVE PITTSBURGH, PA 15239			
SCALE 1/2" = 1'-0"	DWG. NO. MORTAR-001	BY LBA	REV 1
DATE 03/16/2012	SHEET 2 OF 4		

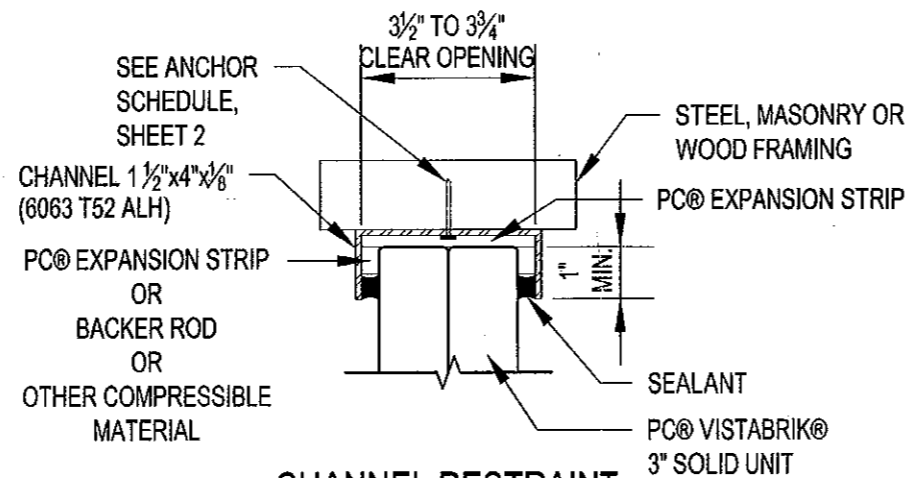
REVISIONS		
REV	DESCRIPTION	DATE
1	CHANGES TO REFLECT NEW FLORIDA BUILDING CODE AND RENEWED NOA.	03/16/12



PANEL ANCHOR RESTRAINT

DETAIL

SCALE: 3" = 1'-0"



CHANNEL RESTRAINT

DETAIL

SCALE: 3" = 1'-0"

SPECIFICATIONS (FOR NOMINAL 3" THICK SOLID GLASS BLOCK):

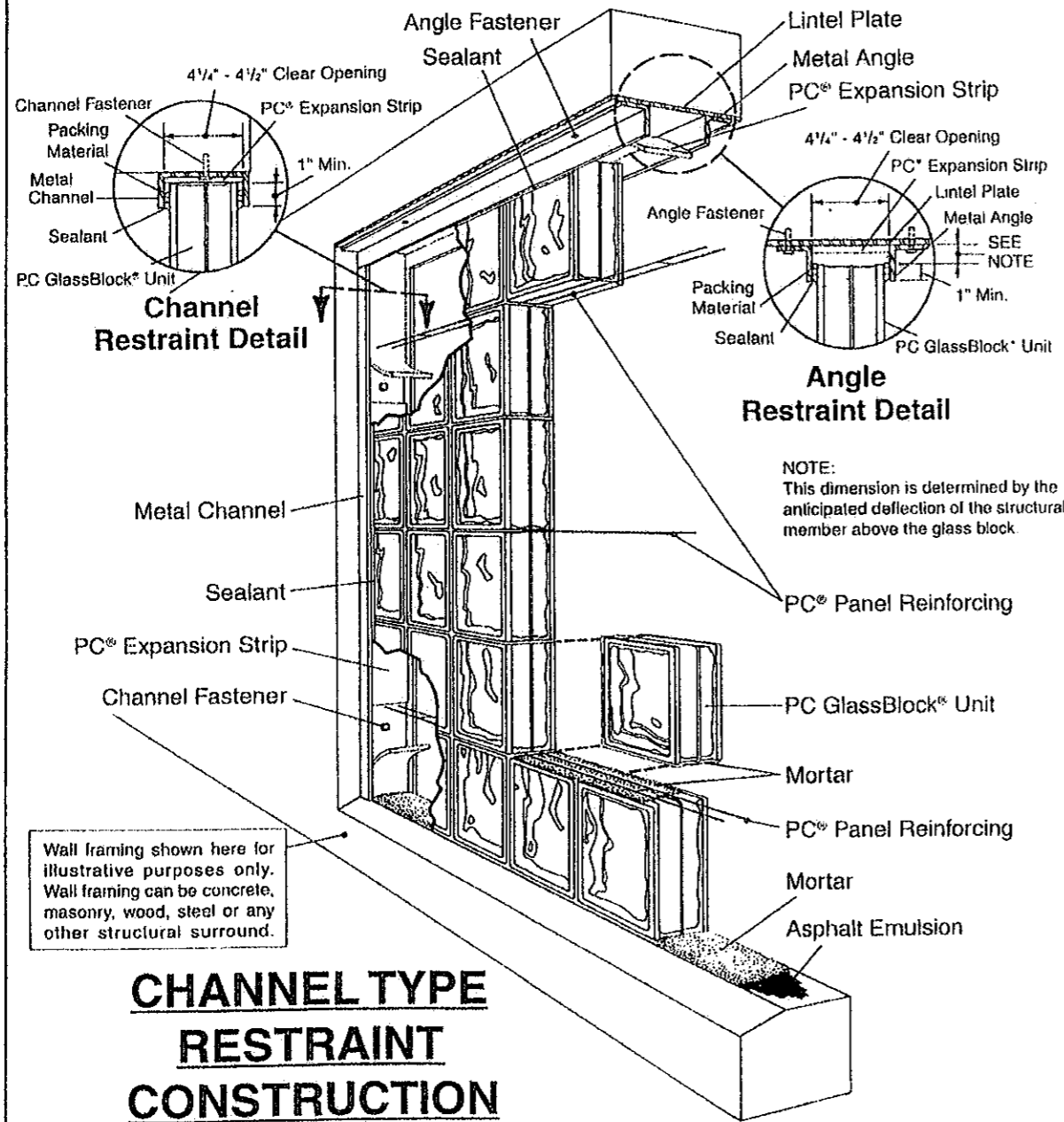
- **GLASS BLOCK UNITS:** 8"x8"x3" (nominal size) or smaller (face dimensions). Solid glass block must be minimum 3" thick, as manufactured by Pittsburgh Corning Corporation.
- **MORTAR:** Type "S" per ASTM C270.
- **REINFORCEMENT:** Ladder Type, 9-gauge, 1 5/8" wide with butt-welded crosswires spaced at 16" o.c., hot-dipped galvanized or stainless steel, as available from Pittsburgh Corning Corporation. Placement is at horizontal joints (only) at a spacing of no more than 16" o.c. vertically.
- **PANEL ANCHORS:** Hot-dipped galvanized 20-gauge perforated steel strips, 24" long by 1 3/4" wide, or stainless steel 22-gauge perforated steel strips, 16" long by 1 3/4" wide, as available from Pittsburgh Corning Corporation. Placement is at both jamb and head locations. See anchor schedule for specific anchor types and spacing. Embedment of panel anchors into mortar joints shall be at least 12 inches.
- **CHANNELS:** Aluminum (6063-T52ALH) 1 1/2"x4"x1/8", as available from Julius Blum & Co., Inc. (1-800-526-6293), or equal. Placement is at both jamb and head locations. See anchor schedule for specific anchor types and spacing.
- **EXPANSION MATERIAL:** Polyethylene type, 3/8" thick, as available from Pittsburgh Corning Corporation. Placed at both jamb and head locations.
- **SEALANT:** Silicone type. Placed at both jamb and head locations and on both exterior and interior sides.
- **ASPHALT EMULSION:** A water-based asphalt emulsion, by Karnak Chemical Corporation (Karnak 100, 1-800-526-4236), or equal.

PITTSBURGH CORNING GLASS BLOCK SOLID UNITS (NOMINAL) 3" THICK					
SERIES	PATTERNS	NOMINAL DIM.	FACE THICKNESS	LARGE MISSILE IMPACT RESISTANT	SMALL MISSILE IMPACT RESISTANT
VISTABRIK® Solid Units All 3" thick (nominal)	All patterns	8"x8"x3" and all other smaller face sizes	3" (nominal) thick solid units	No	Yes Can be used without hurricane protection above 30 ft. from grade

PRODUCT REVISED to comply with the Florida Building Code
 Acceptance No 12-0406-06
 Expiration Date 03/09/2017
 By *[Signature]*
 Miami Dade Product Control

[Signature]
 4-3-2012
 HERMES S. MORENO, P.E.
 FLORIDA P.E. NO. 74278
 127 W. FAIRBANKS AVE., STE. 438
 WINTER PARK, FL 32789
 FBPE CERT. OF AUTHORIZATION NO. 29578

TITLE			
Glass Block Mortar System 3" Thick Solid Glass Block			
PITTSBURGH CORNING CORP. 800 PRESQUE ISLE DRIVE PITTSBURGH, PA 15239			
SCALE	DWG. NO.	REV	
1/2" = 1'-0"	MORTAR-001	1	
BY	DATE	SHEET	
LBA	03/16/2012	3 OF 4	

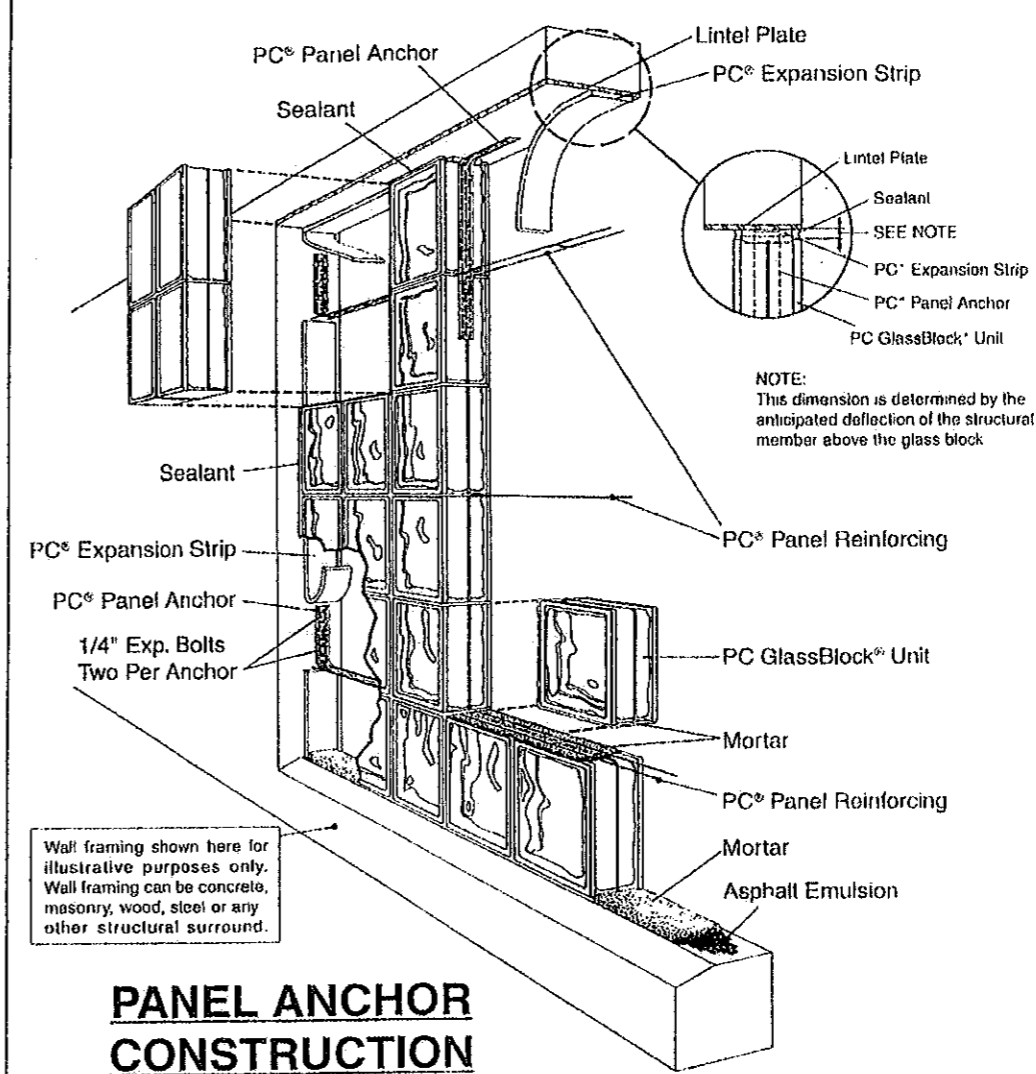


**CHANNEL TYPE
RESTRAINT
CONSTRUCTION**

Wall framing shown here for illustrative purposes only. Wall framing can be concrete, masonry, wood, steel or any other structural surround.

NOTE:
This dimension is determined by the anticipated deflection of the structural member above the glass block.

PITTSBURGH CORNING
800 Presque Isle Drive
Pittsburgh, PA 15239-2799
724-327-6100 • Fax: 724-387-3806



**PANEL ANCHOR
CONSTRUCTION**

Wall framing shown here for illustrative purposes only. Wall framing can be concrete, masonry, wood, steel or any other structural surround.

NOTE:
This dimension is determined by the anticipated deflection of the structural member above the glass block.

PITTSBURGH CORNING
800 Presque Isle Drive
Pittsburgh, PA 15239-2799
724-327-6100 • Fax: 724-387-3806

REVISIONS		
REV	DESCRIPTION	DATE
1	CHANGES TO REFLECT NEW FLORIDA BUILDING CODE AND RENEWED NOA.	03/02/12

PRODUCT REVISED
as complying with the Florida
Building Code
Acceptance No. 12-0406.06
Expiration Date 03/09/2017
By *[Signature]*
Miami Dade Product Control

[Signature]
4-3-2012
HERMES F. NORERO, P.E.
FLORIDA P.E. NO. 73778
127 W. FAIRBANKS AVE., STE. 435
WINTER PARK, FL 32789
FBPE CERT. OF AUTHORIZATION NO. 29578

TITLE
**Glass Block Mortar System
Generic Construction Details - Isometric Views**

PITTSBURGH CORNING CORP.
800 PRESQUE ISLE DRIVE
PITTSBURGH, PA 15239

SCALE	NTS	DWG. NO.	MORTAR-001	REV	1
BY	LBA	DATE	03/02/2012	SHEET	4 OF 4